



Conduit Outlet Bodies ISB Rectangular Boxes


Bosston

A QUALITY PRODUCT

EXPLOSIONPROOF

For UL.60079-1 Standard Class I,II Div.1 and 2 Groups C,D,E,F and G

For IEC.60079-0/1 Standard Zone 1 and Zone 2



ISO9001:2008

● Technical data

Type of Protection: Ex d IIA T6

Conforming to : Standards IEC 60079-1 or UL 60079-1

Marking for test : Ex II2G

Degree of Protection : IP66 acc.To IEC 60529

Ambient Temp. (Ta) : -20°C to+ 75 °C

Type : ISB

Protection class for UL. : Class I, Division1 or 2 Group.C,D

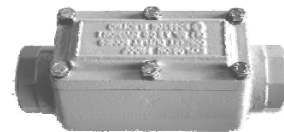
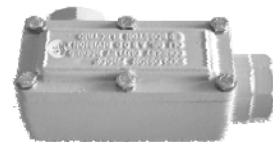
Class II, Division 1 or 2 Groups.E,F,G

Class III

Protection class for IEC : Zone1and Zone 2

Options : Seal NBR rubble or Seal Silicone at front cover for outdoor

Conduit hub - 1/2" - 4" NPT.


ISBB

ISBC

ISBL

ISBR

ISBT

ISBX

● Applications:

The ISB rectangular boxes are designed for use in the conduit system in hazardous areas to

provide opening for tap, splice or pull outlet for conductors.

provide an access to conduit system for maintenance.

change conduit direction.

use with threaded rigid steel conduit (RSC) or intermediate metal conduit (IMC).

use in indoor (IP54) and corrosive locations.

● Features:

- Compact rectangular shape.
- Flat joint between body and cover assures a flame-tight joint.
- Smooth, well-rounded conduit stop in each hub to protect conductor insulation.
- Six different conduit hub arrangements.
- Complete selection of sizes.
- Copper-free aluminium construction for corrosion resistant.

● Standard Materials:

- Body and cover - Copper-free aluminium
- Bolts - Stainless steel

● Standard Finishes:

- Copper-free aluminium - Epoxy-polyester powder
- Stainless steel - Natural

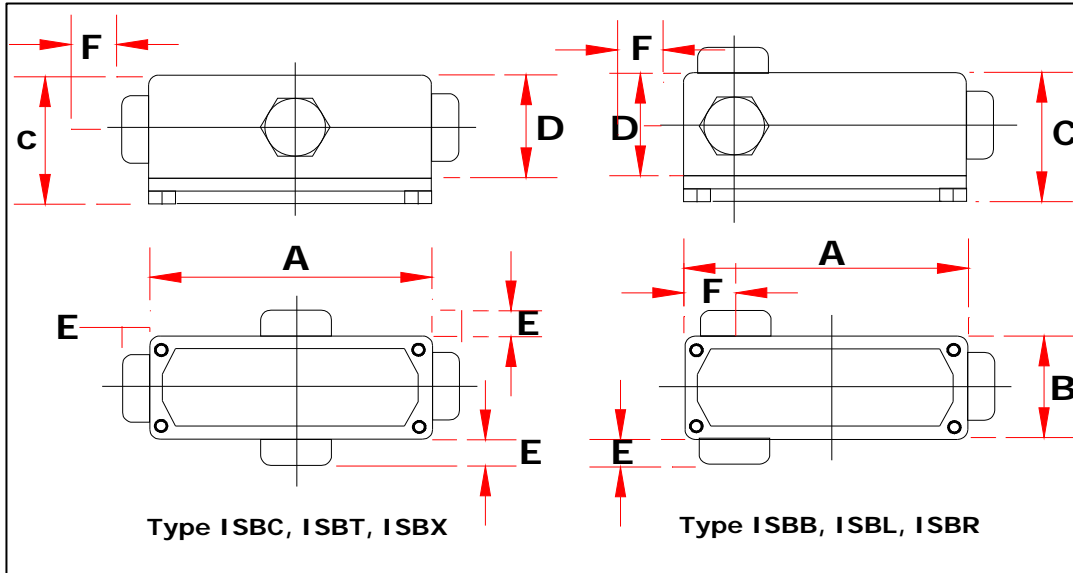


Conduit Outlet Bodies ISB Rectangular Boxes

EXPLOSIONPROOF

For UL.60079-1 Standard Class I,II Div.1 and 2 Groups C,D,E,F and G

For IEC.60079-0/1 Standard Zone 1 and Zone 2



Hub Size. NPT (inch)	Cat.,No.						Dimension in mm.					
							A	B	C	D	E	F
1/2"	ISBB 1	ISBC 1	ISBL 1	ISBR 1	ISBT 1	ISBX 1	101	44	57	40	16	20
3/4"	ISBB 2	ISBC2	ISBL 2	ISBR 2	ISBT 2	ISBX 2	101	44	57	40	16	20
1"	ISBB 3	ISBC 3	ISBL 3	ISBR 3	ISBT 3	ISBX 3	119	60	68	52	22	23
1.1/4"	ISBB 4	ISBC 4	ISBL 4	ISBR 4	ISBT 4	ISBX 4	146	67	79	64	23	32
1.1/2"	ISBB 5	ISBC 5	ISBL 5	ISBR 5	ISBT 5	ISBX 5	178	77	86	71	25	35
2"	ISBB 6	ISBC 6	ISBL 6	ISBR 6	ISBT 6	ISBX 6	211	88	103	87	30	43
2.1/2"	ISBB 7	ISBC 7	ISBL 7	ISBR 7	ISBT 7	ISBX 7	246	119	135	116	36	53
3"	ISBB 8	ISBC 8	ISBL 8	ISBR 8	ISBT 8	ISBX 8	246	119	135	116	36	53
3.1/2"	ISBB 9	ISBC 9	ISBL 9	ISBR 9	ISBT 9	ISBX 9	310	175	190	173	36	77
4"	ISBB 10	ISBC 10	ISBL 10	ISBR 10	ISBT 10	ISBX 10	310	175	190	173	36	77



Conduit Outlet Bodies

RB Round Boxes



EXPLOSIONPROOF

For UL.60079-1 Standard Class I,II Div.1 and 2 Groups C,D,E,F and G

For IEC.60079-0/1 Standard Zone 1 and Zone 2



ISO9001:2008

Technical data

- Type of Protection: Ex d IIA T6
- Conforming to : Standards IEC 60079-1 or UL 60079-1
- Marking for test : Ex II2G
- Degree of Protection : IP65 acc.To IEC 60529
- Ambient Temp. (Ta) : -20°C to+ 75 °C
- Type :RB
- Protection class for UL. : Class I, Division1 or 2 Group.C,D
Class II, Division 1 or 2 Groups.E,F,G
Class III
- Protection class for IEC : Zone1and Zone 2
- Options : Seal NBR rubble IP65 at inner cover for outdoor
- Conduit hub - 1/2" - 2" NPT.



RBB



RBC



RBL



RBT



RBX

Applications:

- The **RB** round boxes are designed for use in the conduit system in hazardous areas to provide opening for tap, splice or pull outlet for conductors.
- provide an access to conduit system for maintenance.
- change conduit direction.
- use with threaded rigid steel conduit (RSC) or intermediate metal conduit (IMC).
- use in indoor or outdoor*1 in damp, wet or corrosive locations.

Features:

- Compact rectangular shape.
- Threaded cover opening provided for easy access.
- Smooth, well-rounded conduit stop in each hub to protect conductor insulation.
- Five different conduit hub arrangements.
- Furnished with mounting lugs.
- Copper-free aluminium construction for corrosion resistant.

Standard Materials:

- Body and cover - Copper-free aluminium
- Bolts - Stainless steel

Standard Finishes:

- Copper-free aluminium - Epoxy-polyester powder
- Gasket ☆ - Natural

Options :

- ☆ Seal gasket, add suffix - **G** to Cat.,No.
- 2.1/2 to 4 inches NPT size are available on request.
- *1** Seal gasket for raintight fit is optional.



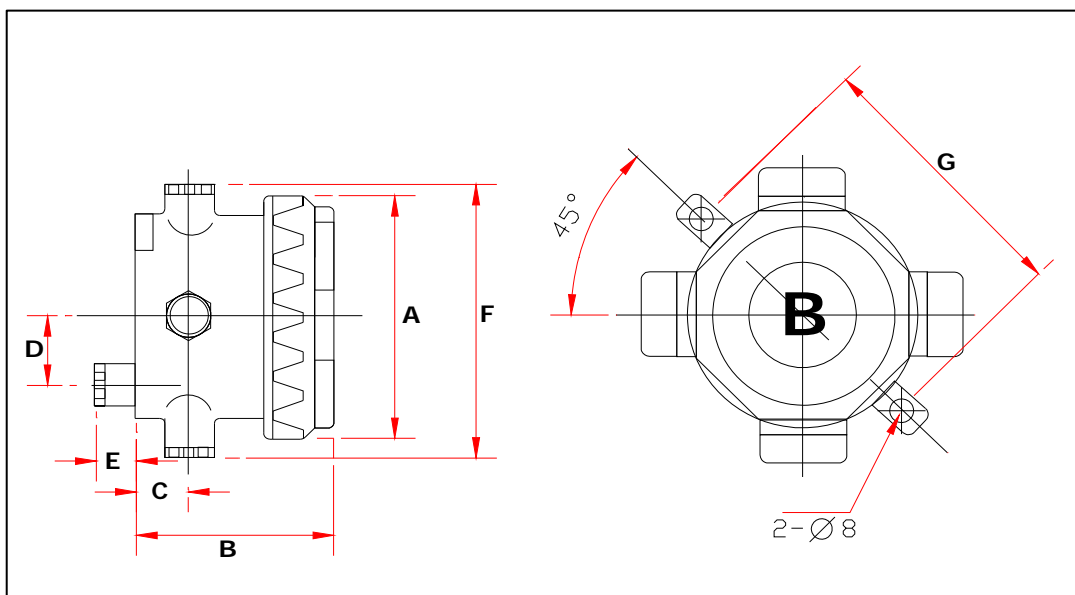
Conduit Outlet Bodies

RB Round Boxes

EXPLOSIONPROOF

For UL.60079-1 Standard Class I,II Div.1 and 2 Groups C,D,E,F and G

For IEC.60079-0/1 Standard Zone 1 and Zone 2



Hub Size. NPT (inch)	Cat.,No.					Dimension in mm.						
						A	B	C	D✦	E✦	F	G
1/2"	RBB 1	RBC 1	RBL 1	RBT 1	RBX 1	95	80	19	17	23	133	111
3/4"	RBB 2	RBC 2	RBL 2	RBT 2	RBX 2	95	80	19	17	23	133	111
1"	RBB 3	RBC 3	RBL 3	RBT 3	RBX 3	95	80	19	17	23	133	111
1.1/4"	RBB 4	RBC 4	RBL 4	RBT 4	RBX 4	136	115	37	35	28	170	151
1.1/2"	RBB 5	RBC 4	RBL 5	RBT 5	RBX 5	136	115	37	35	28	170	151
2"	RBB 6	RBC 6	RBL 6	RBT6	RBX 6	136	115	37	35	28	170	151

✦ Dimension only for **RBB** Type



Conduit Outlet Bodies

ERB Round Boxes



A QUALITY PRODUCT

EXPLOSIONPROOF

For UL.60079-1 Standard Class I,II Div.1 and 2 Groups C,D,E,F and G

For IEC.60079-0/1 Standard Zone 1 and Zone 2

Technical data

Type of Protection: Ex d IIA T6
 Conforming to : Standards IEC 60079-1 or UL 60079-1
 Marking for test : Ex II2G
 Degree of Protection : IP67 acc.To IEC 60529
 Ambient Temp. (Ta) : -20 °C to+ 55 °C
 Type :ERB
 Protection class for UL. : Class I, Division1 or 2 Group.C,D
 Class II, Division 1 or 2 Groups.E,F,G
 Class III
 Protection class for IEC : Zone1and Zone 2
 Options : Seal NBR rubble IP67 at inner cover for outdoor
 Conduit hub - 1/2" - 1" NPT.

Applications:

The ERB round boxes are designed for use in the conduit system in hazardous areas to
 provide opening for tap, splice or pull outlet for conductors.
 provide an access to conduit system for maintenance.
 change conduit direction.
 use with threaded rigid steel conduit (RSC) or intermediate metal conduit (IMC).
 use in indoor or outdoor*1 in damp, wet or corrosive locations.

Features:

- Compact rectangular shape.
- Threaded cover opening provided for easy access.
- Smooth, well-rounded conduit stop in each hub to protect conductor insulation.
- Five different conduit hub arrangements.
- Furnished with mounting lugs.
- Copper-free aluminium construction for corrosion resistant.

Standard Materials:

- Body and cover - Copper-free aluminium
- Bolts - Stainless steel

Standard Finishes:

- Copper-free aluminium - Epoxy-polyester powder
- Gasket ☆ - Natural

Options :

- ☆ Seal gasket, add suffix - **G** to Cat.,No.
- *1** Seal gasket for raintight fit is optional.



ISO9001:2008



ERBC



ERBL



ERBT



ERBX

Connection terminals 1.5 - 4Squmm.

Standard Finishes:

- Rated voltage: max.500V.
 - Rated current: max.32A.
- (as per equipment specification)



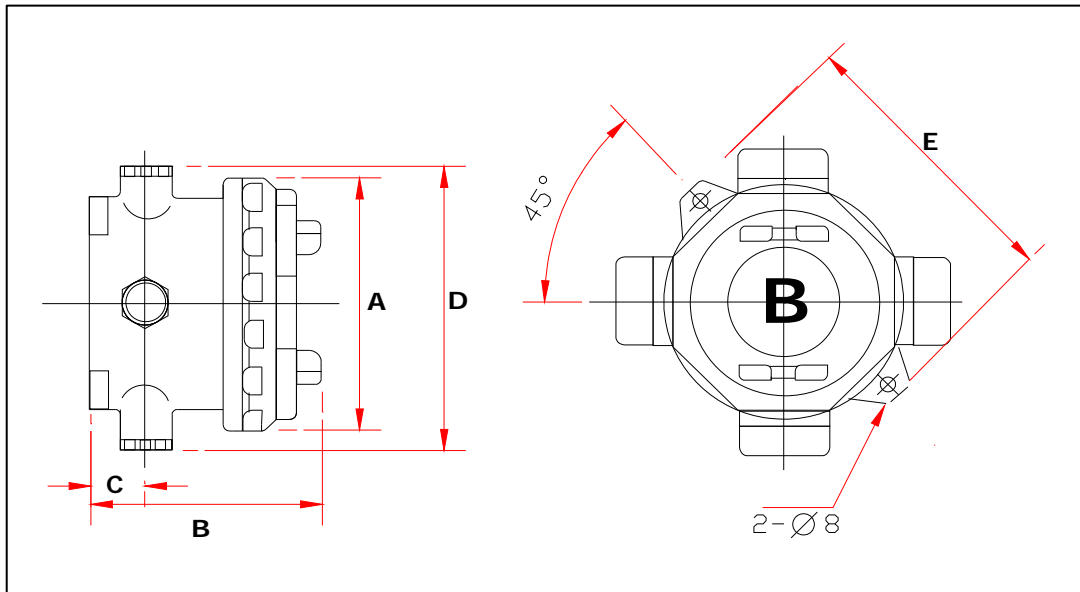
Conduit Outlet Bodies

ERB Round Boxes

EXPLOSIONPROOF

For UL.60079-1 Standard Class I,II Div.1 and 2 Groups C,D,E,F and G

For IEC.60079-0/1 Standard Zone 1 and Zone 2



Hub Size. NPT (inch)	Cat.,No.				Dimension in mm.					Approx. Weight (kgs.)
					A	B	C	D	E	
1/2"	ERBC 1	ERBL 1	ERBT 1	ERBX 1	98	85	21	135	120	0.68
3/4"	ERBC 2	ERBL 2	ERBT 2	ERBX 2	98	85	21	135	120	0.76
1"	ERBC 3	ERBL 3	ERBT 3	ERBX 3	98	85	21	135	120	0.87
M20 x 1.5	ERBC1M	ERBL1M	ERBT1M	ERBX1M	98	85	21	135	120	0.68
M25 x 1.5	ERBC2M	ERBL2M	ERBT2M	ERBX2M	98	85	21	135	120	0.76
M32 x 1.5	ERBC3M	ERBL3M	ERBT3M	ERBX3M	98	85	21	135	120	0.87

Sealing Fittings

EXPLOSIONPROOF

For UL.60079-1 Standard Class I,II Div.1 and 2 Groups B,C,D,E,F and G

For IEC.60079-0/1 Standard Zone 1 and Zone 2

Technical data

Type of Protection: Ex d IIA T6
 Conforming to : Standards IEC 60079-1 or UL 60079-1
 Marking for test : Ex II2G
 Degree of Protection : IP67 acc.To IEC 60529
 Ambient Temp. (Ta) : -20°C to+ 75 °C
 Type :EY
 Protection class for UL. : Class I, Division1 or 2 Group.B,C,D
 Class II, Division 1 or 2 Groups.E,F,G
 Class III
 Protection class for IEC : Zone1and Zone 2
 Conduit hub - 1/2" - 4" NPT.



ISO9001:2008



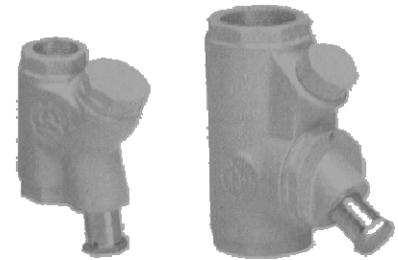
EY

Applications:

The Sealing fitting are used in conduit and cable system in hazardous areas to prevent the passage of gases, vapors or flames from one portion of the electrical installation to another through the conduit install with in 18 inches on any conduit run entering an enclosure which contains arcs, sparks or high temperature devices. install with in 18 inches from the enclosure or fitting housing terminals, splices or taps on each conduit run of 2 inches size or larger entering such enclosure of fitting. install in each conduit ren leaving the hazardous classified locations. seal where cable are required to use in Class I, Div. 2 locations.



EYK



EYD

Features:

- Complete range of sizes for conduit or cable.
- Large opening provides easy compound filling.
- Female hub on top and bottom.
- Type **EYS** for sealing in vertical position.
- Type **EYK** for sealing in horizontal position.
- Type **EYD** for sealing in vertical position and provide continuous water drain path.
- Type **EYL** for sealing in angle conduit run.



EYL

Standard Materials:

- Body and cover - Copper-free aluminium
- Drain - Stainless steel

Standard Finishes:

- Copper-free aluminium - Epoxy-polyester powder
- Stainless steel - Natural



Male sealing fittings (Removable Male Nipple) add suffix - **M** to Cat., No.



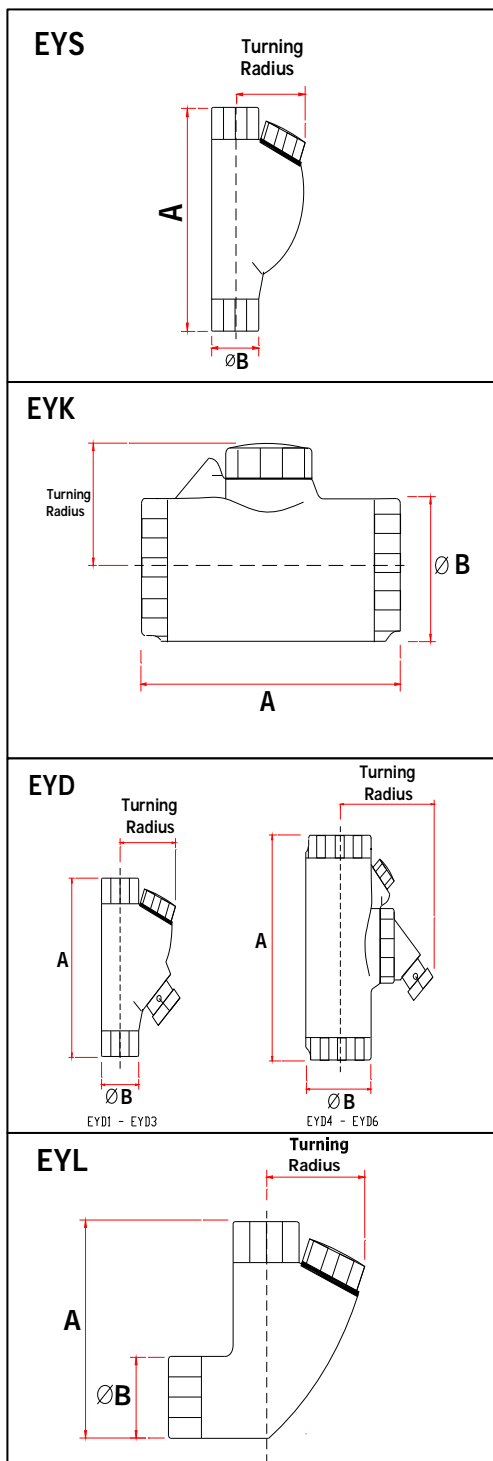
Also suitable to use in Class I, Div, 1 and 2 , Group B for EY 1, EY 2, EY 3, EYK 1, EYK 2, EYK 3

EXPLOSIONPROOF

For UL.60079-1 Standard Class I,II Div.1 and 2 Groups **B,C,D,E,F** and G

For IEC.60079-0/1 Standard Zone 1 and Zone 2

Catalogue Numbers and Dimensions:



Conduit Size NPT. (inch)	Cat., No.	Dimension in mm.		
		A	Ø B	Turning Radius #
1/2"	EY 1☆	76	31	49
3/4"	EY 2☆	86	39	57
1"	EY 3☆	97	43	68
1.1/4"	EY 4	124	54	82
1.1/2"	EY 5	136	62	97
2"	EY 6	162	76	119
2.1/2"	EY 7	217	107	155
3"	EY 8	217	107	155
3.1/2"	EY 9	253	128	193
4"	EY 10	253	136	189
1/2"	EYK 1☆	81	32	33
3/4"	EYK 2☆	93	38	36
1"	EYK 3☆	103	44	40
1.1/4"	EYK 4	121	60	55
1.1/2"	EYK 5	150	63	53
2"	EYK 6	176	76	68
2.1/2"	EYK 7	223	109	109
3"	EYK 8	223	109	109
3.1/2"	EYK 9	303	36	123
4"	EYK 10	303	36	123
1/2"	EYD 1	81	32	54✦
3/4"	EYD 2	93	38	57✦
1"	EYD 3	103	44	62✦
1.1/4"	EYD 4	121	60	88✦
1.1/2"	EYD 5	136	63	91✦
2"	EYD 6	150	76	101✦
1/2"	EYL 1	71	32	49
3/4"	EYL 2	93	38	56
1"	EYL 3	96	44	68
1.1/4"	EYL 4	110	59	85

Remark:

- ☆ See compliances on page 7
- # Turning radius with cover or plug removed.
- ✦ Turning radius with drain fitting removed.

Sealing Compound and Fiber



Applications:

The Sealing Fiber ISO9001:2008
 Forms a positive dam to hold sealing compound in the sealing fitting.
 The Sealing Compound
 For seal forming between and around each electrical conductor inside of sealing fitting to restrict the passage of gases, vapors and flames.



Sealing Fiber

Features:

- The Sealing Fiber is a rope the asbestos fiber that easy to form a dam and non-flammable.
- The Sealing Compound is water soluble powder, that can be easily mixed and poured.
- Mix 2 parts by volume of Sealing Compound with 1 part of clean water in a completely clean container.
- Stir immediately and thoroughly then pour into the sealing fitting. Compound harden in 60 minutes then form a secure non-shrinking, acids, water and oil resistant seal.



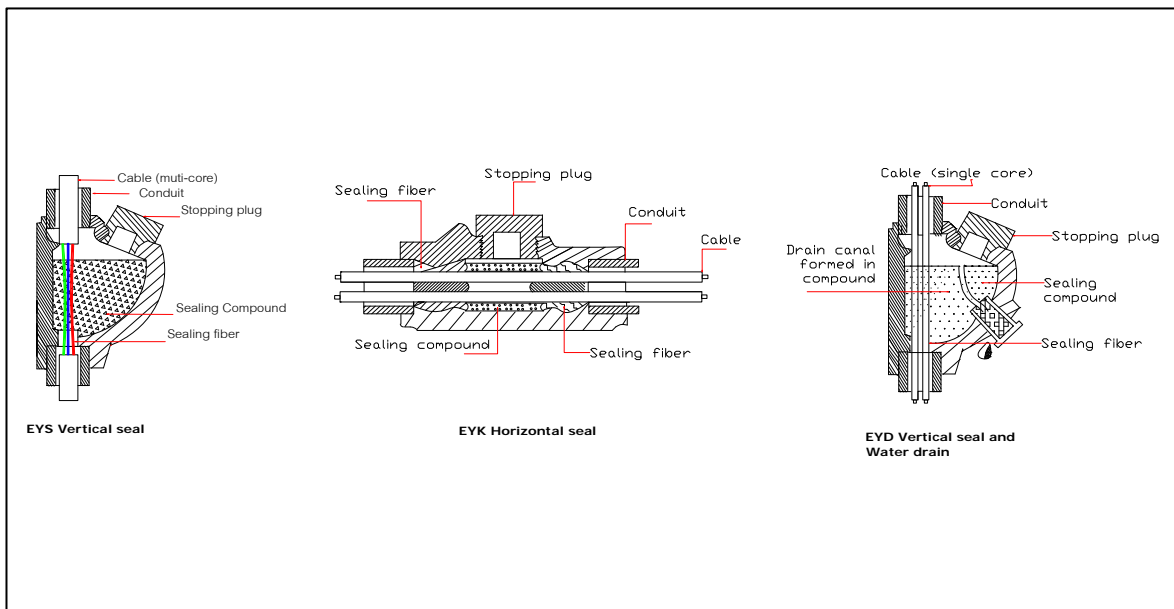
Sealing Compound

Standard Materials:

- Sealing Compound and Sealing Fiber are
- packed together in standard package 454 Grams (1 lb.)

Note :

Sealing Compound and Fiber are approved for use only with Bosston sealing fittings.



Depth of sealing compound should be equal to the trade size of conduit, having a minimum of 5/8 inch thickness. Close a plug immediately after pouring.

Caution: Do not mix more than it can be poured within 10 minutes after adding water. Use cold water, warm water increases speed of setting. Partical of previous mixing or dirt may spoil the seal. KEEP DRY and tightly closed when it is not in used

ECUN Flexible Couplings



EXPLOSIONPROOF

For UL.60079-1 Standard Class I,II Div.1 and 2 Groups B,C,D,E,F and G

For IEC.60079-0/1 Standard Zone 1 and Zone 2



ISO9001:2008

Technical data

- Type of Protection: Ex d IIA T6
- Conforming to : Standards IEC 60079-1 or UL 60079-1
- Marking for test : Ex II2G
- Degree of Protection : IP66 acc.To IEC 60529
- Ambient Temp. (Ta) : -20°C to+ 75 °C
- Type :ECUN
- Protection class for UL. : Class I, Division1 or 2 Group.B,C,D
 Class II, Division 1 or 2 Groups.E,F,G
 Class III
- Protection class for IEC : Zone1and Zone 2
- Conduit hub - 1/2" - 4" NPT.



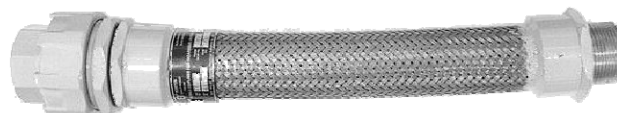
ECUN130 - ECUN3100

Applications:

The ECUN flexible couplings are used in hazardous areas to isolate conduit systems from vibration or movement of connected equipment.
 accomplish difficult bends in place of rigid conduit.

Features:

- Rugged design, stainless steel flexible tube with outer stainless steel wirebraid.
- Free swing in any direction
- Good electrical continuity, no bonding jumper required.
- Furnished with one end female unions and one male threaded fitting on the other end.
- Liquid tight for wet location.



ECUN430 - ECUN10100

Standard Materials:

- Inner flexible tube - Stainless steel
- Outer wirebraid - Stainless steel
- Unions - Copper-free aluminium
- Male threaded fitting - Bronze

Standard Finishes:

- Copper-free aluminium - Epoxy-polyester powder
- Stainless steel; - Natural
- Bronze - Epoxy-polyester powder
 # or Chromium plated

Options :

- Chromium plated, add suffix - **add suffix - C**
- Epoxy-polyester powder, add suffix - **P**

Remark:

- NEC 1/2 and 3/4 inch NPT sizes
- ★ Class I, Div. 1 and 2 , Groups B,C,D
 Class II, Div. 1 and 2 , Groups E,F,G
 Class III
- ★ 1 inch NPT sizes
 Class I, Div. 1 and 2 , Groups C,D
 Class II, Div. 1 and 2 , Groups E,F,G
 Class III
- 1-1/4 to 4 inches NPT sizes
 Class I, Div. 1 and 2 , Groups D
 Class II, Div. 1 and 2 , Groups E,F,G
 Class III



Bosston

A QUALITY PRODUCT

ECUN Flexible Couplings

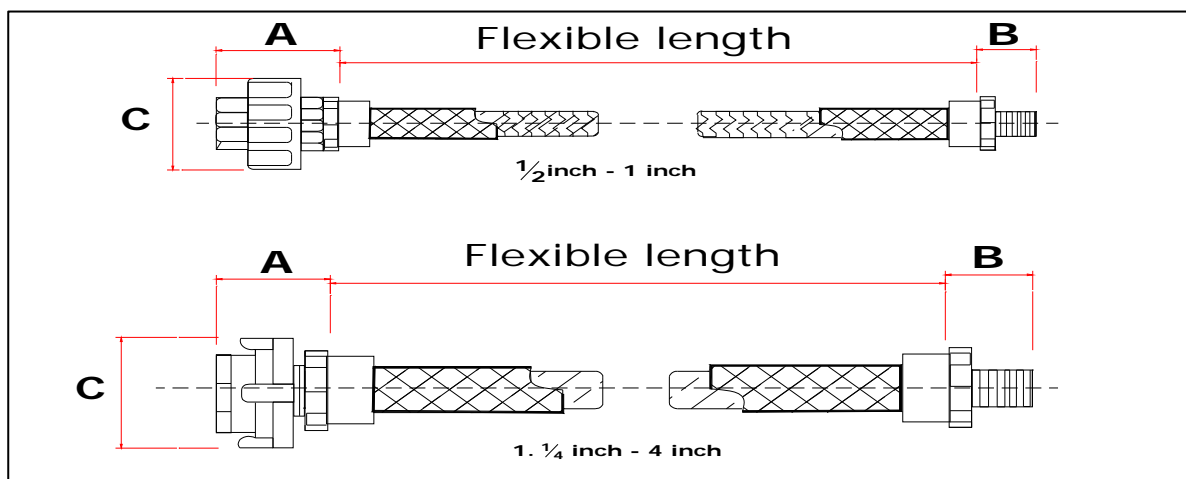
EXPLOSIONPROOF



For UL.60079-1 Standard Class I,II Div.1 and 2 Groups B,C,D,E,F and G

For IEC.60079-0/1 Standard Zone 1 and Zone 2

Sizes (inch)	Catalogue Number						
	30 cm. Flexible length	40 cm. Flexible length	50 cm. Flexible length	60 cm. Flexible length	80 cm. Flexible length	90 cm. Flexible length	100 cm. Flexible length
1/2"	ECUN 130★	ECUN 140★	ECUN 150★	ECUN 160★	ECUN 180★	ECUN 190★	ECUN 1100★
3/4"	ECUN 230★	ECUN 240★	ECUN 250★	ECUN 260★	ECUN 280★	ECUN 290★	ECUN 2100★
1"	ECUN 330★	ECUN 340★	ECUN 350★	ECUN 360★	ECUN 380★	ECUN 390★	ECUN 3100★
1.1/4"	ECUN 430	ECUN 440	ECUN 450	ECUN 460	ECUN 480	ECUN 490	ECUN 4100
1.1/2"	ECUN 530	ECUN 540	ECUN 550	ECUN 560	ECUN 580	ECUN 590	ECUN 5100
2"	ECUN 630	ECUN 640	ECUN 650	ECUN 660	ECUN 680	ECUN 690	ECUN 6100
2.1/2"	ECUN 730	ECUN 740	ECUN 750	ECUN 760	ECUN 780	ECUN 790	ECUN 7100
3"	ECUN 830	ECUN 840	ECUN 850	ECUN 860	ECUN 880	ECUN 890	ECUN 8100
3.1/2"	ECUN 930	ECUN 940	ECUN 950	ECUN 960	ECUN 980	ECUN 990	ECUN 9100
4"	ECUN 1030	ECUN 1040	ECUN 1050	ECUN 1060	ECUN 1080	ECUN 1090	ECUN 10100



Dimensions in MM.

Flexible Sizes	Flexible length																				
	30 Cm.			40 Cm.			50 Cm.			60 Cm.			80 Cm.			90 Cm.			100 Cm.		
	A	B	C	A	B	C	A	B	C	A	B	C	A	B	C	A	B	C	A	B	C
1/2"	56	20	49	56	20	49	56	20	49	56	20	49	56	20	49	56	20	49	56	20	49
3/4"	58	21	55	58	21	55	58	21	55	58	21	55	58	21	55	58	21	55	58	21	55
1"	65	27	63	68	27	63	68	27	63	68	27	63	68	27	63	68	27	63	68	27	63
1.1/4"	65	29	71	65	29	71	65	29	71	65	29	71	65	29	71	65	29	71	65	29	71
1.1/2"	75	31	83	75	31	83	75	31	83	75	31	83	75	31	83	75	31	83	75	31	83
2"	83	33	104	83	33	104	83	33	104	83	33	104	83	33	104	83	33	104	83	33	104
2.1/2"	83	39	127	83	39	127	83	39	127	83	39	127	83	39	127	83	39	127	83	39	127
3"	93	39	135	93	39	135	93	39	135	93	39	135	93	39	135	93	39	135	93	39	135
3.1/2"	95	43	158	95	43	158	95	43	158	95	43	158	95	43	158	95	43	158	95	43	158
4"	95	43	163	95	43	163	95	43	163	95	43	163	95	43	163	95	43	163	95	43	163





A QUALITY PRODUCT

UN Unions

EXPLOSIONPROOF

☆
For UL.60079-1 Standard Class I,II Div.1 and 2 Groups B,C,D,E,F and G
For IEC.60079-0/1 Standard Zone 1 and Zone 2

● **Technical data**

Type of Protection: Ex d IIA T6
 Conforming to : Standards IEC 60079-1 or UL 60079-1
 Marking for test : Ex II2G
 Degree of Protection : IP54 / 66 acc.To IEC 60529
 Ambient Temp. (Ta) : -20°C to+ 75 °C
 Type :UN
 Protection class for UL. : Class I, Division1 or 2 Group.B,C,D
 Class II, Division 1 or 2 Groups.E,F,G
 Class III
 Protection class for IEC : Zone1and Zone 2
 Conduit hub - 1/2" - 4" NPT.



ISO9001:2008



EUN 1 - EUN 3

● **Applications:**

The EUN unions are used in a conduit system in hazardous areas to connect conduit to conduit or conduit fitting, provide future modification of the conduit system, use with threaded rigid steel conduit (RSC) or threaded in intermediate metal conduit (IMC).



EUN 4 - EUN 10

● **Features:**

- Hand tightening of the union sleeve provide easy installation.
- Strong and durable construction.

● **Note:**

- ☆ Also suitable to use in Class I, Div. 1 and 2, Group B for EUN1, EUN2, EUN3

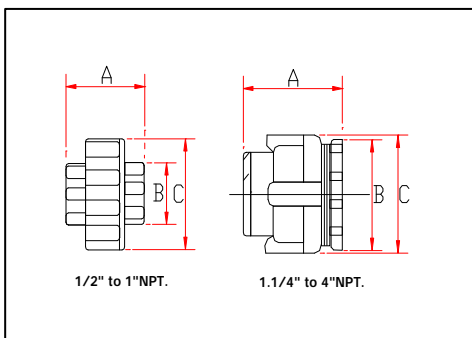
● **Standard Materials:**

- Copper free aluminium

● **Standard Finishes:**

- Copper free aluminium - Epoxy-polyester powder

Catalogue Numbers and Dimensions:



Conduit Size, NPT (inch)	Cat., No.	Dimension in mm.		
		A	B	C
1/2"	EUN 1 ☆	52	33	48
3/4"	EUN 2 ☆	49	37	52
1"	EUN 3 ☆	56	46	62
1.1/4"	EUN 4	56	65	72
1.1/2"	EUN 5	69	78	83
2"	EUN 6	73	93	105
2.1/2"	EUN 7	75	108	125
3"	EUN 8	75	125	135
3.1/2"	EUN 9	100	140	160
4"	EUN 10	115	160	175